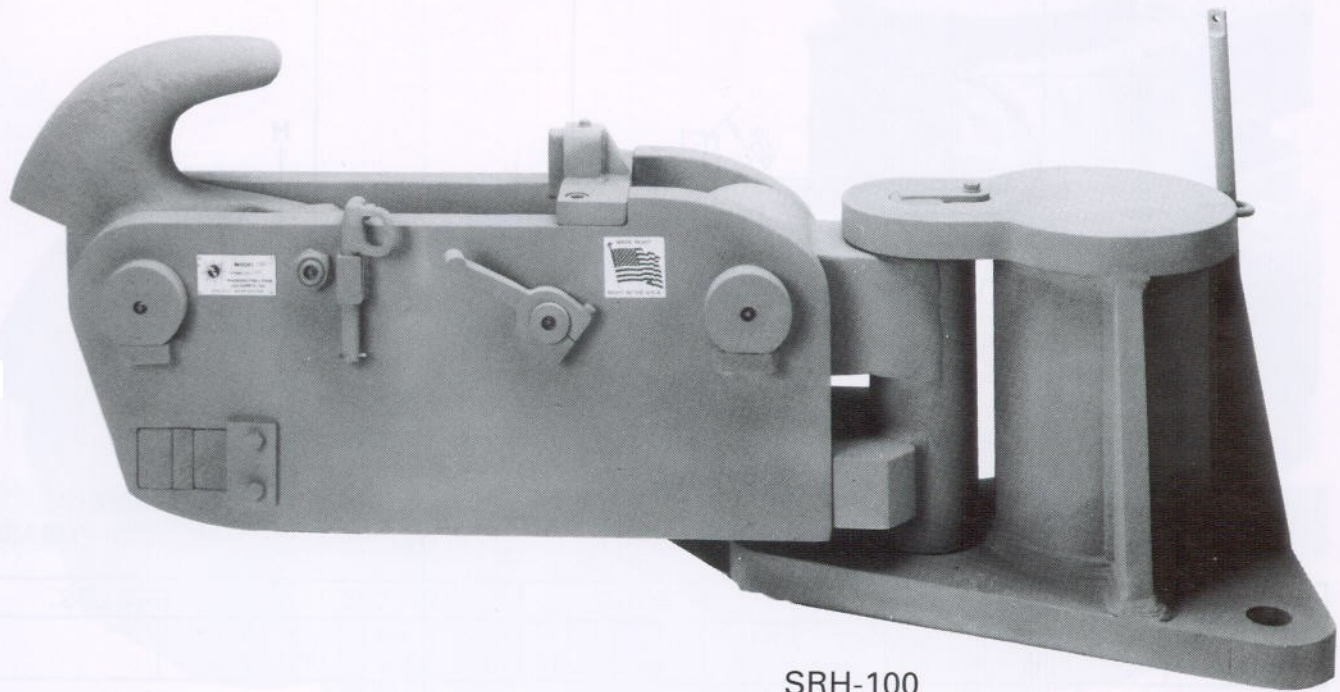


HOOK TYPE	LINE SIZE	NOMINAL LOAD PER HOOK			TOTAL LOAD PER UNIT			HOOK WEIGHT			WEIGHT HOOK(S) W/BASE	
		A	B	C	D	E	F	G	H	J	K	
SRH-50	3	50 TONS			50 TONS			450 LBS.			750 LBS.	
		6 $\frac{1}{4}$	19 $\frac{1}{2}$	29 $\frac{1}{4}$	17 $\frac{1}{4}$	14 $\frac{1}{4}$	1 $\frac{1}{2}$	2	1 $\frac{1}{4}$	13 $\frac{1}{2}$	46 $\frac{1}{2}$	
SRH-60	4	60 TONS			60 TONS			529 LBS.			839 LBS.	
		8	19 $\frac{1}{2}$	34 $\frac{3}{4}$	17 $\frac{1}{4}$	22	2	2	1 $\frac{1}{4}$	14 $\frac{1}{2}$	52	
SRH-80	4 $\frac{1}{2}$	80 TONS			80 TONS			1200 LBS.			1300 LBS.	
		9 $\frac{1}{4}$	24	38 $\frac{1}{4}$	23	24 $\frac{1}{4}$	2 $\frac{1}{16}$	2 $\frac{1}{2}$	2 $\frac{1}{4}$	17 $\frac{1}{4}$	61 $\frac{1}{4}$	
SRH-100	5	100 TONS			100 TONS			1400 LBS.			2150 LBS.	
		10 $\frac{1}{4}$	24	42 $\frac{1}{2}$	23	27	2 $\frac{1}{8}$	2 $\frac{1}{2}$	2 $\frac{1}{4}$	17 $\frac{1}{4}$	65 $\frac{1}{2}$	
SRH-150	5 $\frac{1}{2}$	150 TONS			150 TONS			2200 LBS.			3023 LBS.	
		11 $\frac{1}{4}$	25	49	21	28	3	3	2 $\frac{1}{4}$	18 $\frac{1}{2}$	70	

NOTE: ALL DIMENSIONS IN INCHES

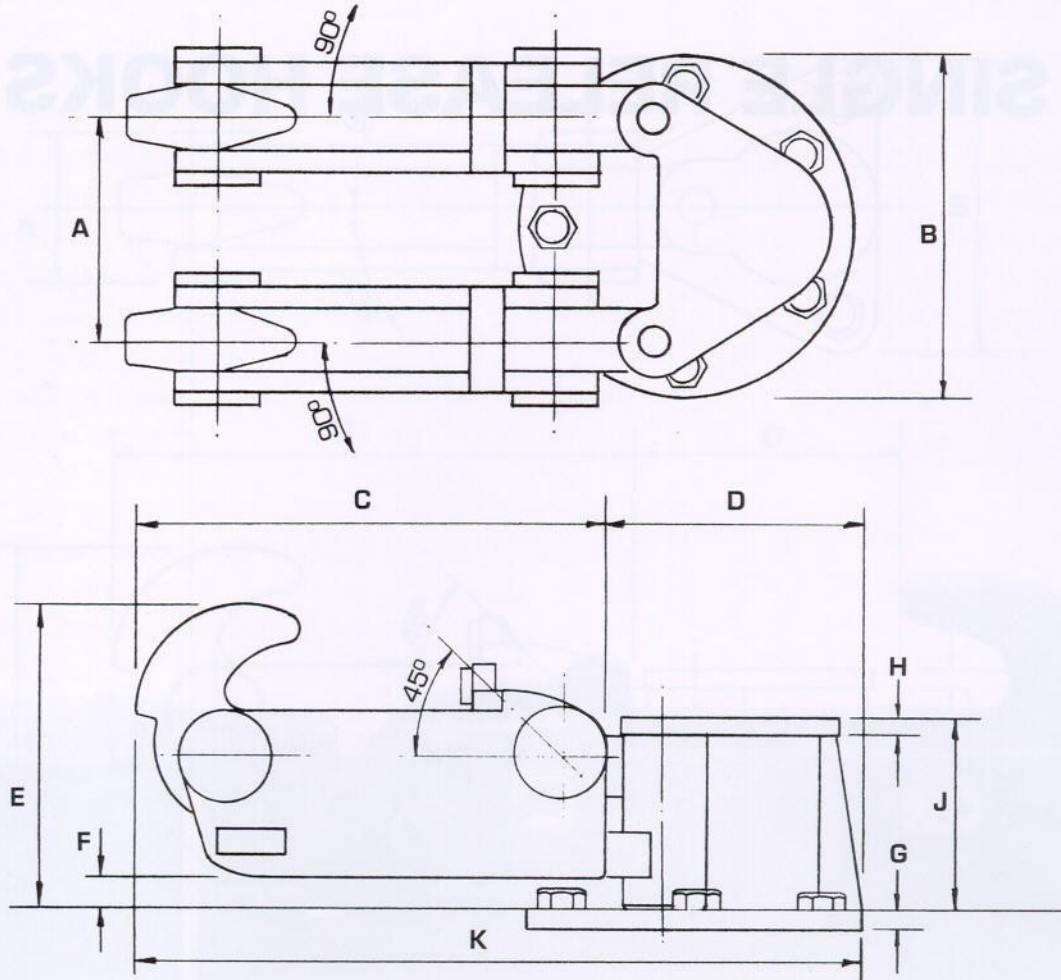
# SINGLE RELEASE HOOKS



SRH-100

## NOTE

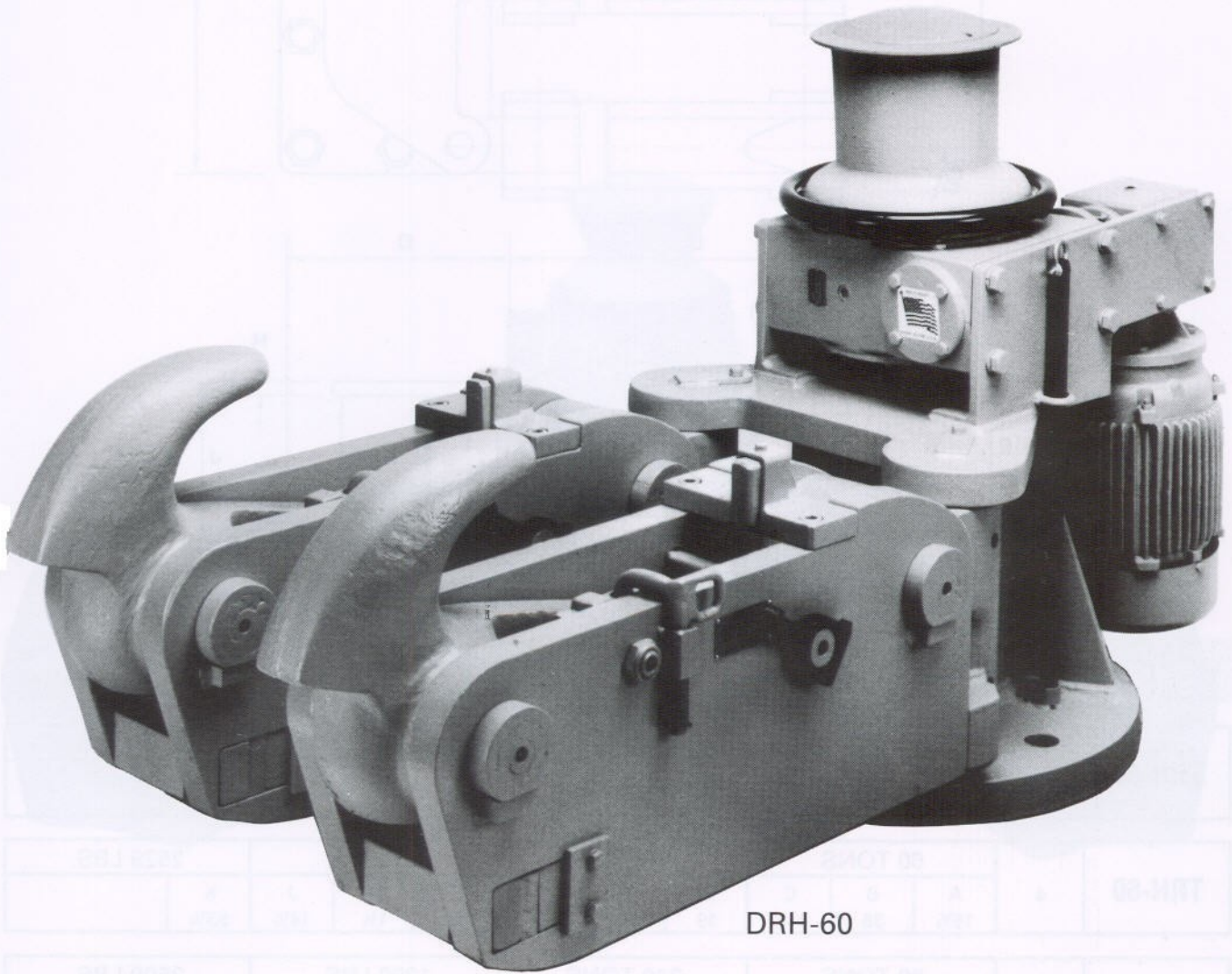
HOOK CAN SWING 180° HORIZONTALLY AND  
CAN ELEVATE 45° VERTICALLY



HOOK TYPE	LINE SIZE	NOMINAL LOAD PER HOOK			TOTAL LOAD PER UNIT			HOOK WEIGHT			WEIGHT HOOK(S) W/BASE	
		A	B	C	D	E	F	G	H	J	K	
DRH-50	3	50 TONS			100 TONS			450 LBS.			1525 LBS.	
		12½	24	29¼	20	14¼	1½	2¼	2	13½	49½	
DRH-60	4	60 TONS			120 TONS			529 LBS.			1695 LBS.	
		15¾	24	34¾	20	22	2	2¼	2	14½	54¾	
DRH-80	4½	80 TONS			160 TONS			1200 LBS.			2400 LBS.	
		18	31½	38¼	26½	24¼	2⅙	2½	2¼	17¼	64¾	
DRH-100	5	100 TONS			200 TONS			1400 LBS.			3750 LBS.	
		20	31½	42½	26½	27	2⅞	2½	2¼	17¼	69	
DRH-150	5½	150 TONS			300 TONS			2200 LBS.			5600 LBS.	
		24	34	49	29	28	3	3	2½	19½	78	

NOTE: ALL DIMENSIONS IN INCHES

# DOUBLE RELEASE HOOKS



DRH-60

**NOTE**

EACH HOOK CAN SWING 140° HORIZONTALLY  
AND CAN ELEVATE 45° VERTICALLY