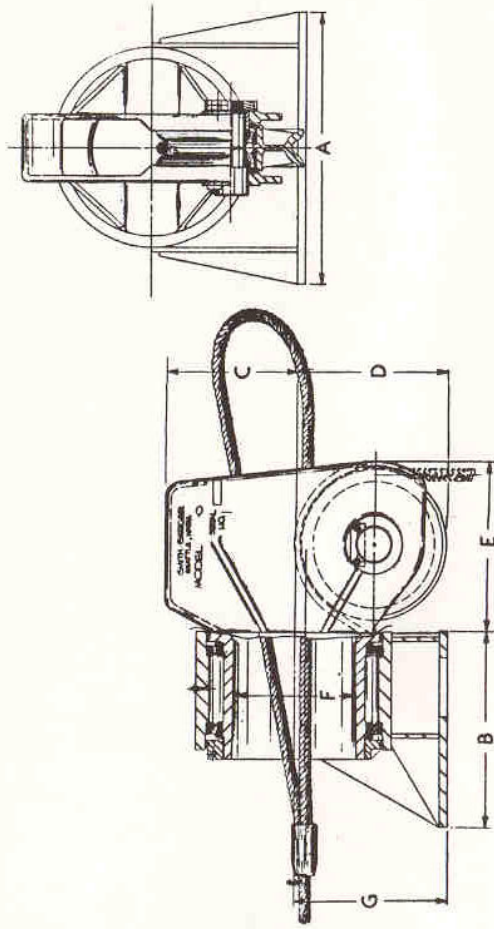
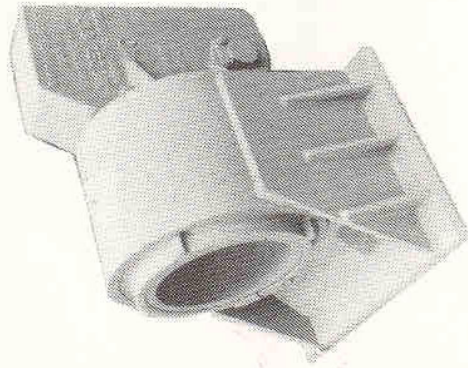


DECK-MOUNTED BALANCED HEAD MOORING FAIRLEADERS



STANDARD FEATURES

- Rugged Marine Design
- Smith Berger Quality
- Sealed Tapered Roller Bearings
- Designed to Meet Breaking Strength of EIPS — IWRC Wire Rope at 90° Rotation of Head
- Cast Alloy Steel Swivel Head
- Extra Large Diameter Sheave for Improved Rope Life
- Marine Epoxy Treatment
- Base Designed for Bolting or Welding to Surface

OPTIONAL FEATURES

- Tail Sheaves
- Tail Rollers
- Special Marine Paint
- Pivoted Guide Roller for Ease of Threading

Model Number	Unit of Measure	Sheave Dia.	Line Size	Ratio	A	B	C	D	E	F	G	Lbs. Kg.
607-0	IN.	7	7/16	13.1:1	11 1/2	8	6 1/2	6 1/2	10	4 1/8	8 1/4	107
	MM.	179	11		292	203	165	165	254	105	210	49
608-0	IN.	8	1/2	12.5:1	12 1/4	8	6 3/4	6 3/4	12 1/2	3 3/4	8 3/4	130
	MM.	203	13		311	203	171	171	318	121	222	59
610-0	IN.	10	5/8 & 3/4	13.6:1	18	12	10	10	11 3/4	9	11	390
	MM.	254	16 & 19	11.3:1	457	305	254	254	298	229	279	177
612-0	IN.	12	1 & 1 1/8	10.2:1	24	18	13	12 1/2	13 1/2	11	13 1/2	940
	MM.	305	26 & 28	9.1:1	610	457	330	318	343	279	343	425
614-0	IN.	14	1 1/4	9.3:1	28	20	12 1/2	12 1/2	16	12	15	1100
	MM.	356	32		711	508	311	318	406	305	381	499
618-0	IN.	18	1 1/2	10.2:1	33	23 1/2	16	16	20 3/8	15	19	1955
	MM.	457	38		838	597	406	406	518	381	483	887
620-0	IN.	20	1 3/4	10.5:1	36	24	21	21	23 1/2	18	22	2940
	MM.	508	40		914	610	533	533	597	457	559	1334